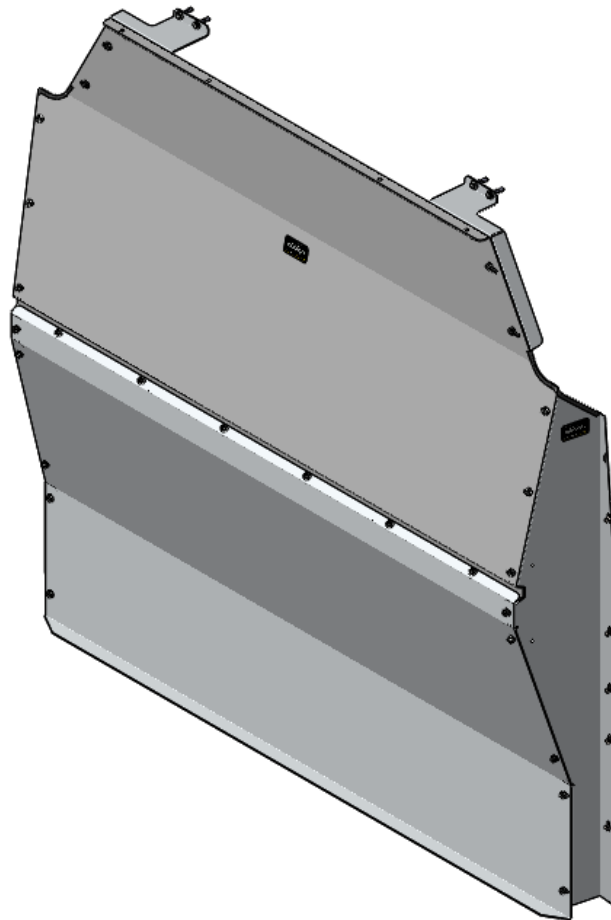


# INSTALLATION GUIDE



## 3010-FTM CONTOURED PARTITION

Transit Partition ( Aluminum )



# QUICK START GUIDE

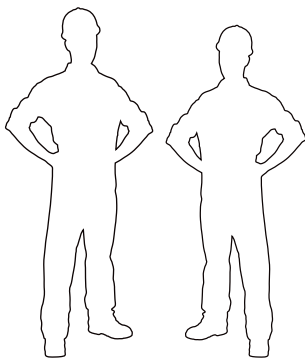
## Phase 1 - Assembly

<input type="checkbox"/> 1.1 Setup.....	3
<input type="checkbox"/> 1.1.1 Unpack components; compare with the bill of materials.....	3
<input type="checkbox"/> 1.1.2 Verify all parts are present.....	3
<input type="checkbox"/> 1.1.3 Identify the assembly and installation fastener bags.....	4
<input type="checkbox"/> 1.2 Partition assembly.....	5
<input type="checkbox"/> 1.2.1 Remove all the PVC from all the parts, then attach the upper panel to the lower panel.....	5
<input type="checkbox"/> 1.2.2 Attach both wings to the upper and lower panels.....	5
<input type="checkbox"/> 1.2.3 Attach the passenger and driver side ceiling brackets on the upper panel.....	6
<input type="checkbox"/> 1.2.4 Attach the edge trims on these locations.....	6

## Phase 2 - Installation

<input type="checkbox"/> 2.1 Tips on how to attach a plusnut.....	7
<input type="checkbox"/> 2.1.1 Attach plusnut using plusnut gun.....	7
<input type="checkbox"/> 2.1.2 Attach plusnut using 6490 plusnut tool.....	7
<input type="checkbox"/> 2.2 Vehicle preparation.....	8
<input type="checkbox"/> 2.2.1 Ceiling preparation.....	8
<input type="checkbox"/> 2.2.2 Driver and passenger sides preparation.....	9
<input type="checkbox"/> 2.3 Contoured partition installation.....	10
<input type="checkbox"/> 2.3.1 Attach both wings to the van.....	10
<input type="checkbox"/> 2.3.2 Attach the driver and passenger side ceiling brackets to the van.....	11
<input type="checkbox"/> 2.3.3 Apply the warning label on the passenger side wing.....	11

# REQUIRED ITEMS



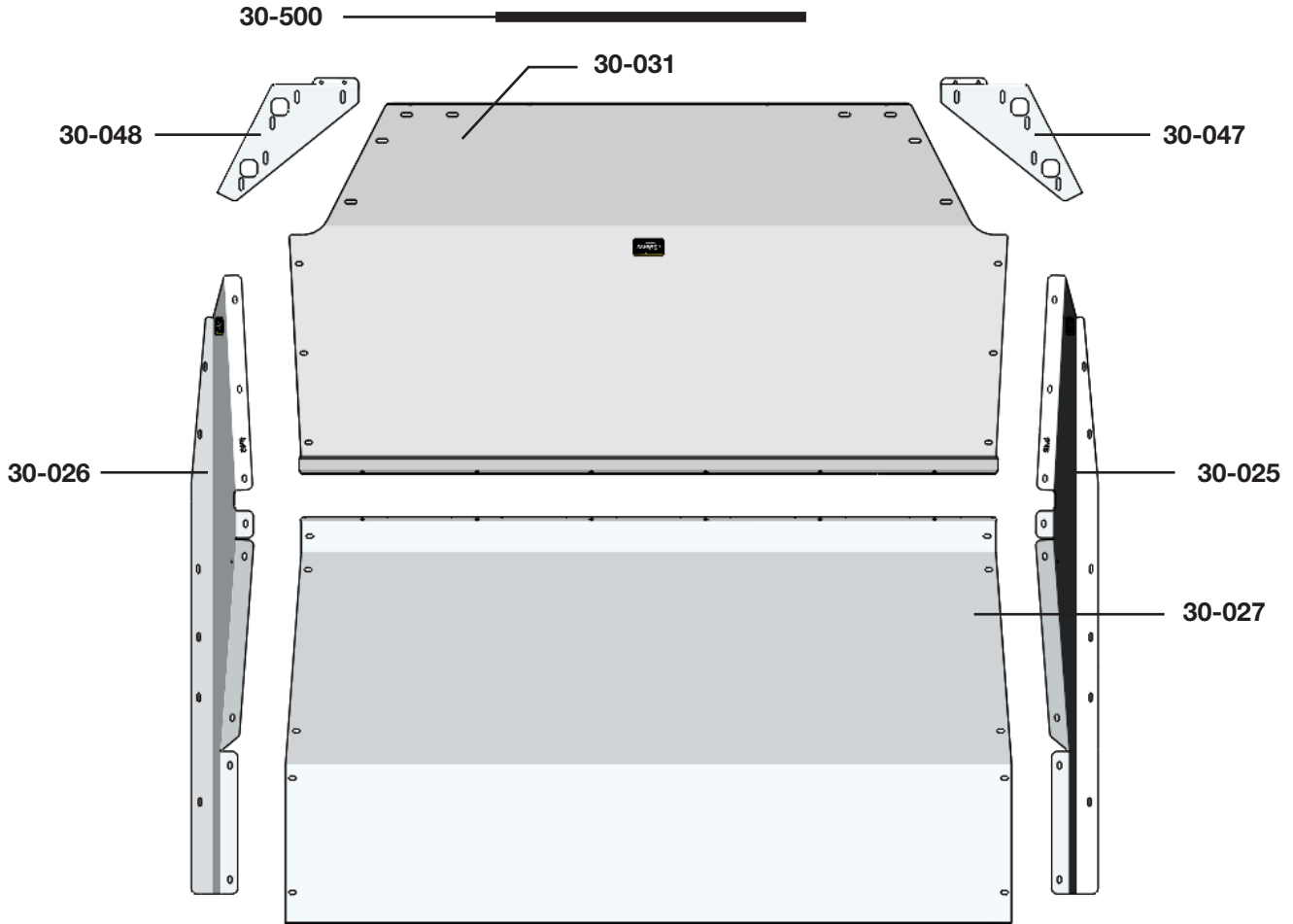
**2**  
**PERSONS**

- Cordless Impact
- Cordless Drill
- Cutter
- Mallet
- Marker
- Plusnut Tool
- Tape Measure
- 3/8" Drill Bit
- 7/16" Socket
- 1/2" Socket
- 9/16" Wrench
- 10mm Socket

# PHASE 1 – ASSEMBLY

## 1.1 SETUP

1.1.1 Unpack components; compare with the bill of materials.

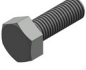





1.1.2 Verify all parts are present.

Item No.	Description	Qty.
30-025	Passenger Side Wing	1
30-026	Driver Side Wing	1
30-027	Lower Panel	1
30-031	Upper Panel	1
30-047	Passenger Side Ceiling Bracket	1
30-048	Driver Side Ceiling Bracket	1
30-500	Edge Trim ( QTY in Inches )	21
79-932	Bilingual Warning Label	1
94-3019	Assembly Fastener Bag	1
96-3011	Installation Fastener Bag	1



1.1.3 Identify the **Assembly** and **Installation** fastener bags.

**Assembly Fastener Bag** →

- 6x**  **# 90-204** Hex Bolt  
5/16"-18 x 3/4"  
GR-5 ZINC
- 24x**  **# 90-484** Carriage Bolt  
5/16"-18 x 5/8"  
ZINC
- 30x**  **# 94-116** Serrated Nut  
5/16"-18  
ZINC
- 6x**  **# 98-116** Flat Washer  
5/16", 7/8" OD  
ZINC

**Hardware Assembly**

- 6x**
-  #90-204 Hex Bolt 5/16" x 3/4"
  -  #98-116 Flat Washer
  -  #94-116 Serrated Nut

- 24x**
-  #90-484 Carriage Bolt 5/16" x 5/8"
  -  #94-116 Serrated Nut

**Installation Fastener Bag** →

- 9x**  **# 90-118** Hex Bolt  
1/4"-20 x 1-1/4"  
GR-5 ZINC
- 5x**  **# 90-971** Hex Bolt  
M6-1.0 x 20mm  
1022 BO
- 9x**  **# 94-130** Plusnut .250
- 9x**  **# 98-112** Flat Washer  
1/4", 3/4" OD  
ZINC
- 9x**  **# 98-118** Lock Washer  
Regular 1/4"  
ZINC

**Hardware Assembly**

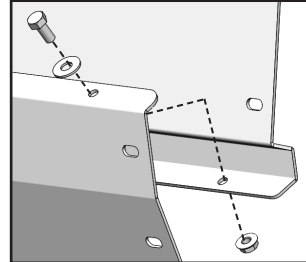
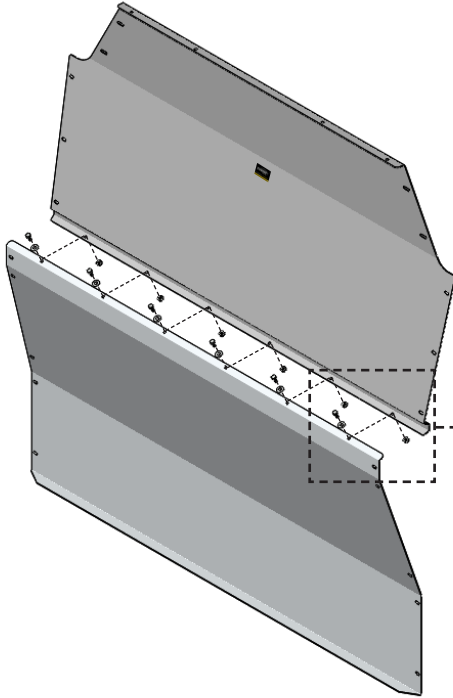
- 9x**
-  #90-118 Hex Bolt 1/4" x 1-1/4"
  -  #98-118 Lock Washer
  -  #98-112 Flat Washer
  -  #94-130 Plusnut .250

- 5x**
-  #90-971 Hex Bolt M6-1.0 x 20mm

# PHASE 1 – ASSEMBLY

## 1.2 PARTITION ASSEMBLY

1.2.1 Remove all the PVC from all the parts, then attach the upper panel to the lower panel.






### TOOLS

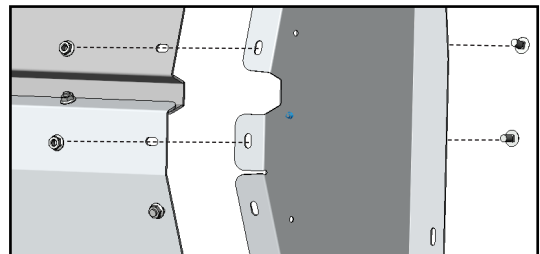
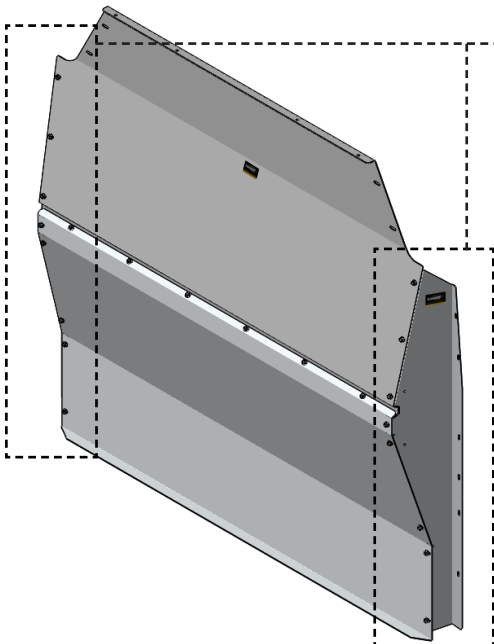
- Cordless Impact
- 1/2" Socket

### HARDWARE USED

6x

-  #90-204 Hex Bolt 5/16" x 3/4"
-  #98-116 Flat Washer
-  #94-116 Serrated Nut

1.2.2 Attach both wings to the upper and lower panels.





### TOOLS

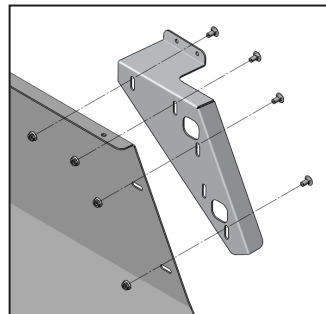
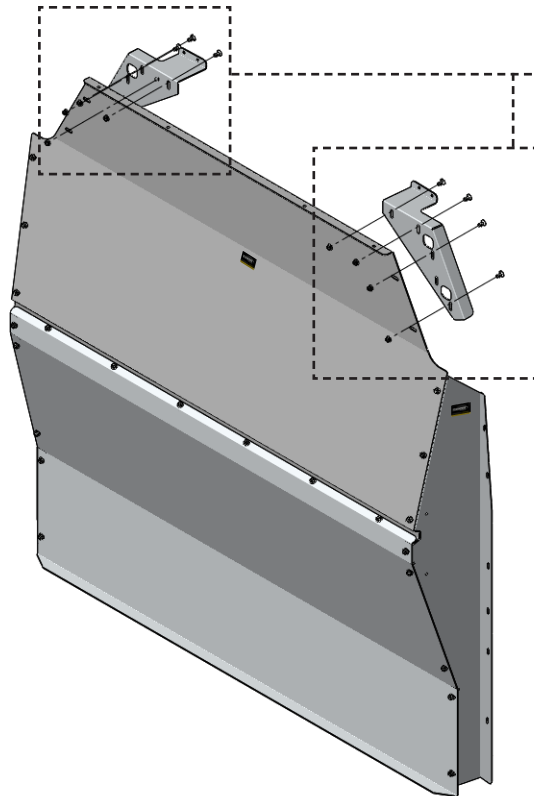
- Cordless Impact
- 1/2" Socket

### HARDWARE USED

16x

-  #90-484 Carriage Bolt 5/16" x 5/8"
-  #94-116 Serrated Nut

**1.2.3** Attach the passenger and driver side ceiling brackets on the upper panel.



**TOOLS**

- Cordless Impact
- 1/2" Socket

**HARDWARE USED**

**8x**

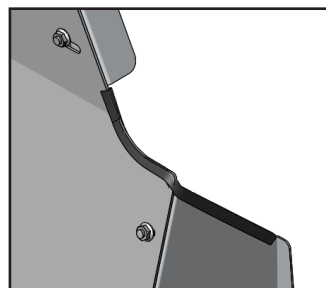
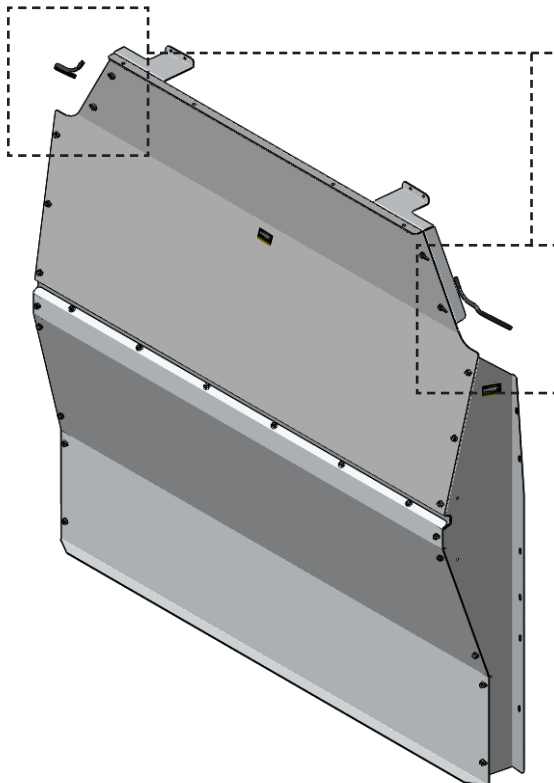


#90-484 Carriage Bolt 5/16" x 5/8"



#94-116 Serrated Nut

**1.2.4** Attach the edge trims on these locations.



**TOOLS**

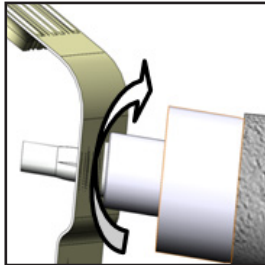
- Mallet
- Cutter

# PHASE 2 – INSTALLATION

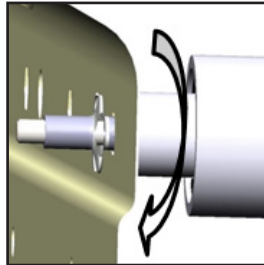
## 2.1 TIPS ON HOW TO ATTACH A PLUSNUT

2.1.1 Attach the plusnut using the plusnut gun.

**TIPS:** Put the plusnut on the plusnut gun, then attach the plusnut in the hole by turning the gun forward until the plusnut locks, then remove the gun by turning in reverse.



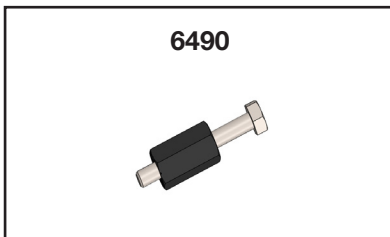
**FORWARD**



**REVERSE**



2.1.2 Attach the plusnut using the 6490 plusnut tool.

**NOTE:** The hardware used for the 6490 plusnut tool is not included in the fastener bag. The 6490 plusnut tool can be ordered separately upon demand at no charge.



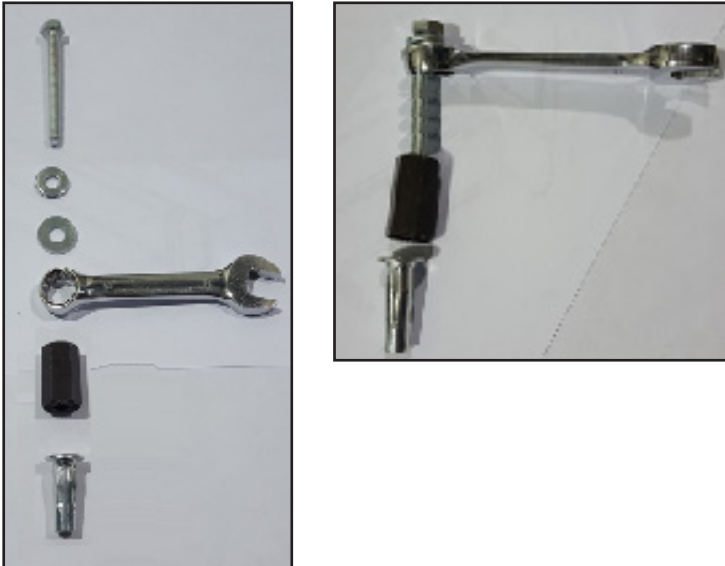
**6490**

**HARDWARE USED**

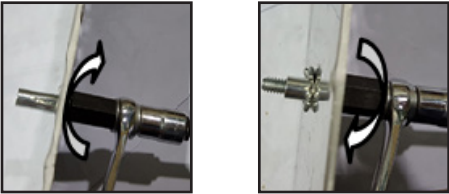
-  Flat washer 1/4"
-  Flat washer 1/4" BS x 3/4" OD

- TOOLS**
- Cordless Impact
  - 7/16" Socket
  - 9/16" Wrench

**TIPS STEP 1:**  
Assemble the 6490 plusnut tool with the hardware needed, plusnut and the 9/16" wrench as shown.



**TIPS STEP 2:**  
Attach the plusnut in the hole by turning the bolt forward using an impact with a 7/16" socket until the plusnut locks, then remove the bolt by turning the impact in reverse.



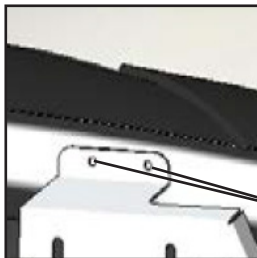
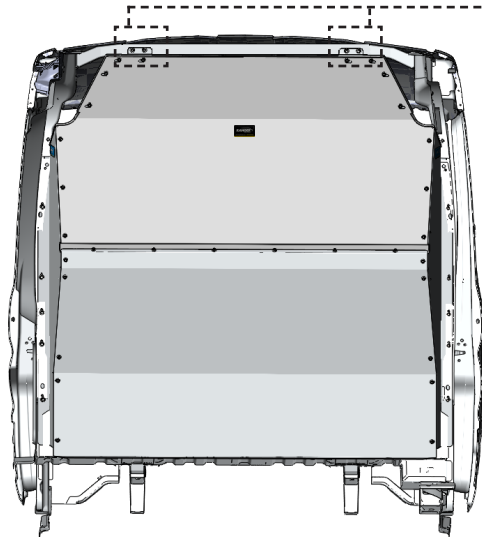
**FORWARD**

**REVERSE**

# PHASE 2 – INSTALLATION

## 2.2 VEHICLE PREPARATION

### 2.2.1 Ceiling preparation.



Lift the assembled partition inside the van and put it in place, then put 4 marks on the van through the holes of the driver and passenger side ceiling brackets.

#### TOOLS

- Marker



Put the assembled partition on the side, then drill the 4 marks using the 3/8" drill bit or step drill.

#### TOOLS

- Cordless Drill
- 3/8" Drill Bit or Step Drill



Attach plusnuts in the 4 holes.

#### TOOLS

- Plusnut Tool

#### HARDWARE USED

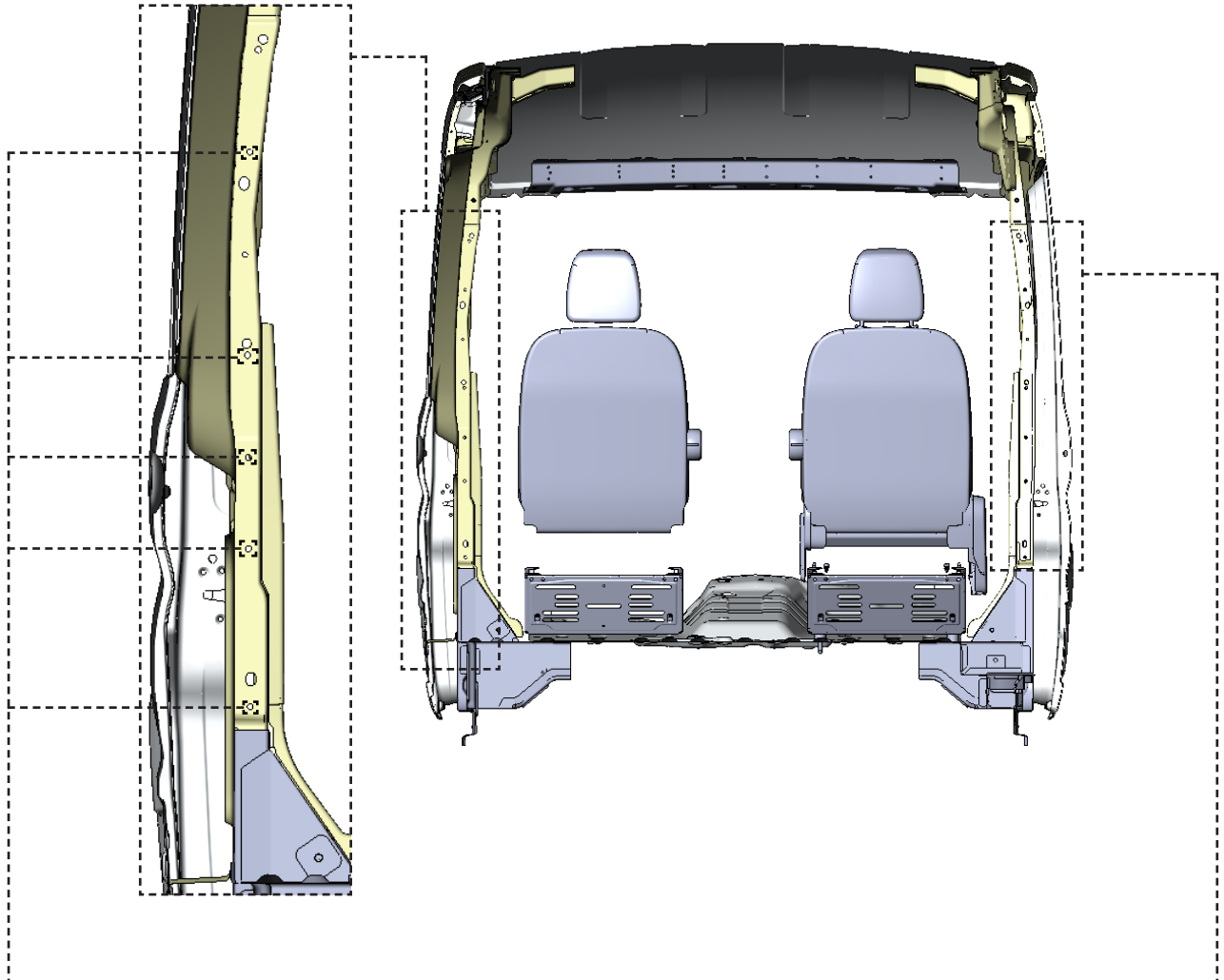
4x



# 94-130  
Plusnut .250



### 2.2.2 Driver and passenger sides preparation.



Attach plusnuts on the five factory holes.



#### TOOLS

- Plusnut Tool

#### HARDWARE USED

**5x**



# 94-130  
Plusnut .250

Remove the factory handle in the van.



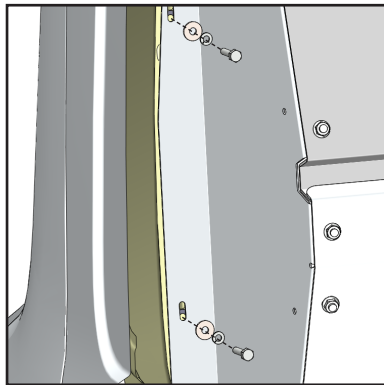
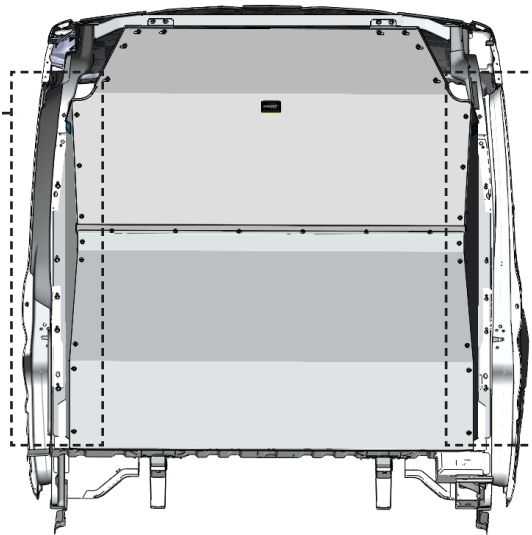
#### TOOLS

- Cordless Impact
- 10mm Socket

# PHASE 2 – INSTALLATION

## 2.3 CONTOURED PARTITION INSTALLATION

### 2.3.1 Attach both wings to the van.






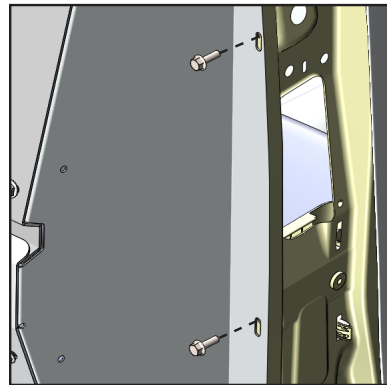
#### TOOLS

- Cordless Impact
- 7/16" Socket

#### HARDWARE USED

5x

- |   |                                |
|---|--------------------------------|
|  | #90-118 Hex Bolt 1/4" x 1-1/4" |
|  | #98-118 Lock Washer            |
|  | #98-112 Flat Washer            |




#### TOOLS

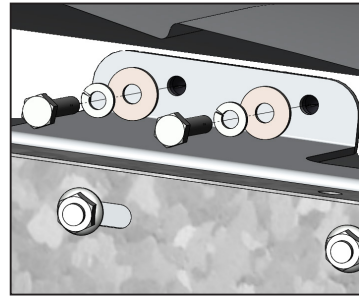
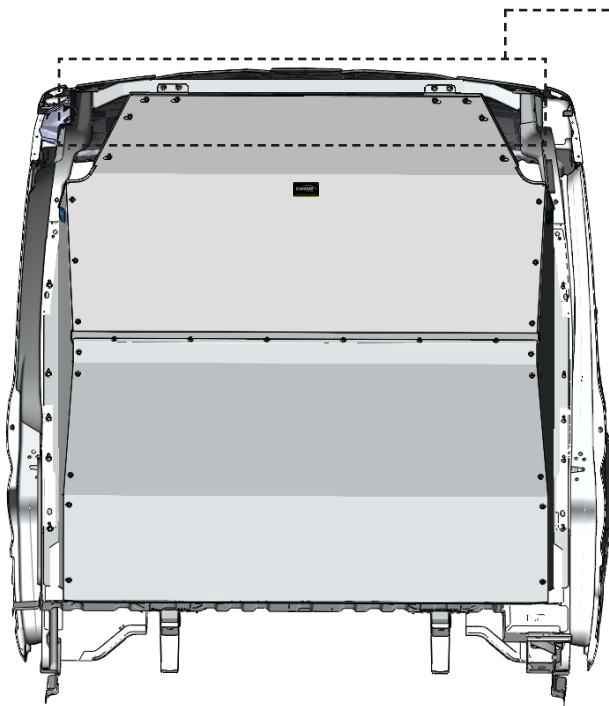
- Cordless Drill
- 10mm Socket

#### HARDWARE USED

5x

- |   |                                |
|---|--------------------------------|
|  | #90-971 Hex Bolt M6-1.0 x 20mm |
|---|--------------------------------|

2.3.2 Attach the driver and passenger side ceiling brackets to the van.






**TOOLS**

- Cordless Impact
- 7/16" Socket

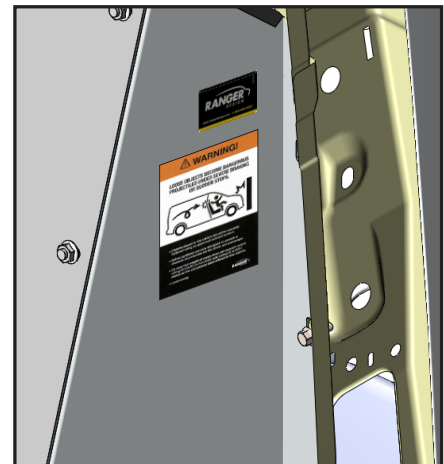
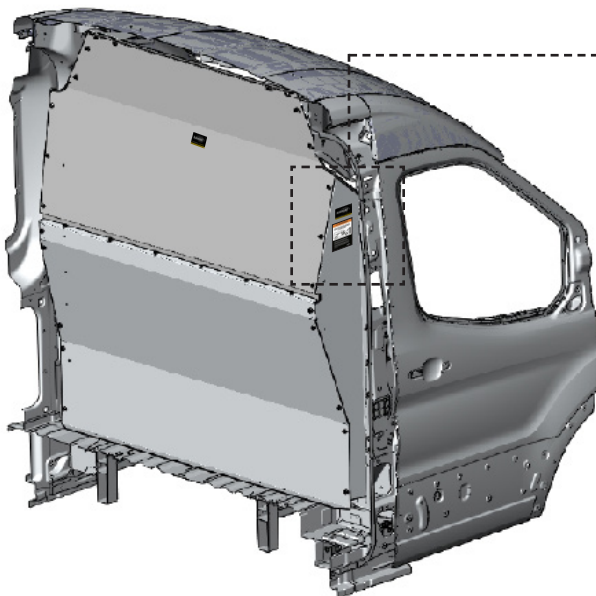
**HARDWARE USED**

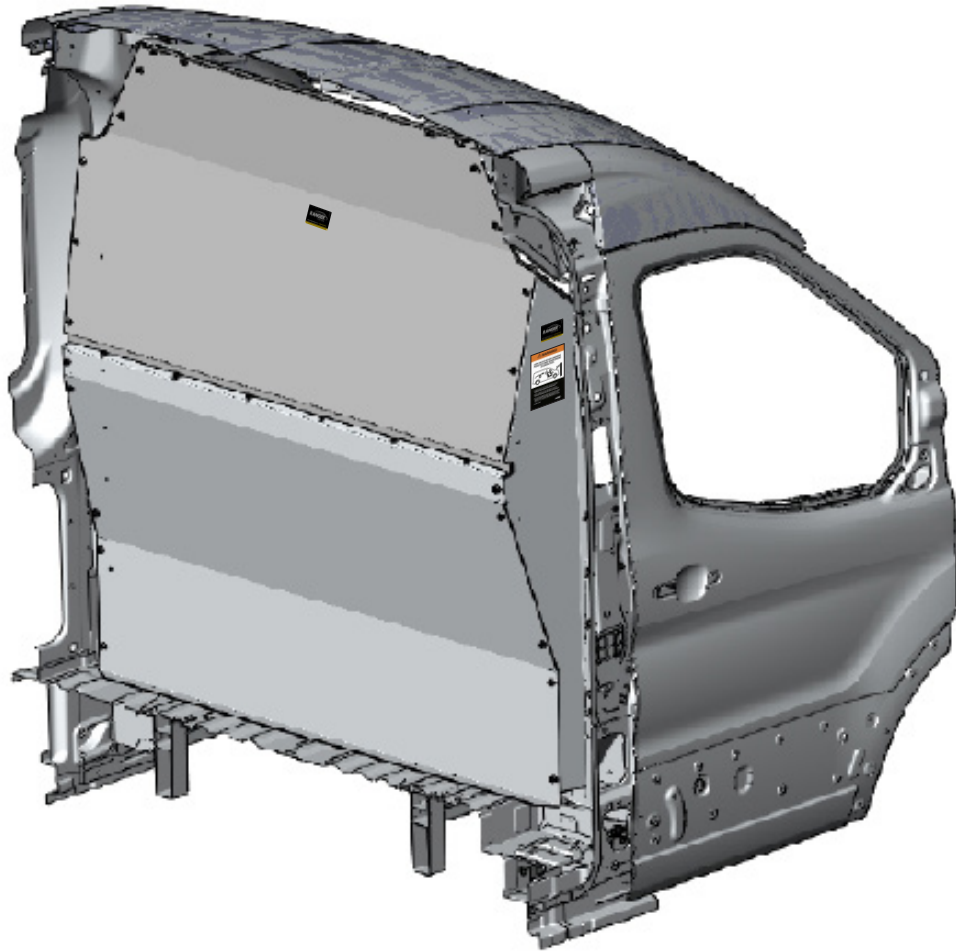
**4x**

-  #90-118 Hex Bolt 1/4" x 1-1/4"
-  #98-118 Lock Washer
-  #98-112 Flat Washer

2.3.3 Apply the warning label on the passenger side wing.

**NOTE:** English warning label is already attached on the passenger side panel.





**“Congratulations, you have successfully installed your  
Contoured Partition!”**

**Thank you for doing business with us.”**

