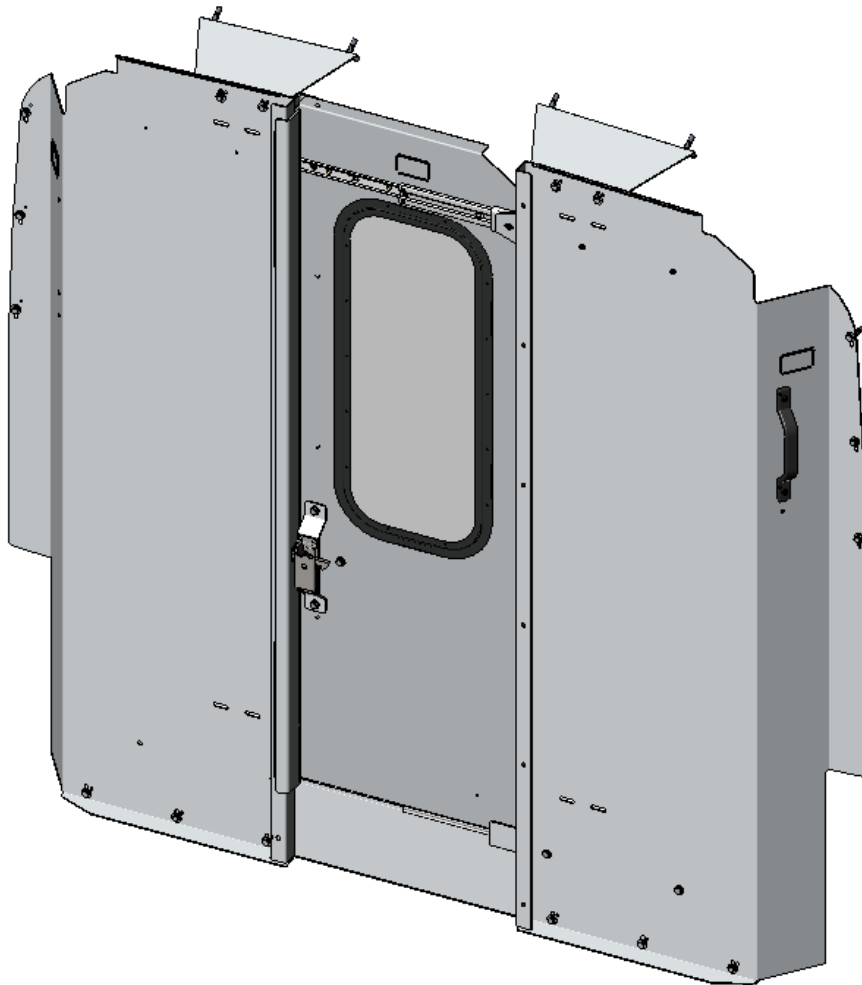


INSTALLATION GUIDE



3068-RP STRAIGHT PARTITION

Promaster (Sliding Door, Aluminum)



QUICK START GUIDE

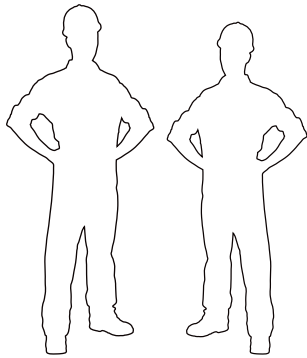
Phase 1 - Assembly

| | |
|---|---|
| <input type="checkbox"/> 1.1 Setup..... | 3 |
| <input type="checkbox"/> 1.1.1 Unpack components; compare with the bill of materials..... | 3 |
| <input type="checkbox"/> 1.1.2 Verify all parts are present..... | 3 |
| <input type="checkbox"/> 1.1.3 Identify the assembly and installation fastener bags..... | 4 |

Phase 2 - Installation

| | |
|--|----|
| <input type="checkbox"/> 2.1 Tips on how to attach a plusnut..... | 5 |
| <input type="checkbox"/> 2.1.1 Attach the plusnut using the plusnut gun..... | 5 |
| <input type="checkbox"/> 2.1.2 Attach the plusnut using the 6490 plusnut tool..... | 5 |
| <input type="checkbox"/> 2.2 Vehicle preparation..... | 6 |
| <input type="checkbox"/> 2.2.1 Driver and passenger sides preparation..... | 6 |
| <input type="checkbox"/> 2.2.2 Ceiling and floor preparation..... | 7 |
| <input type="checkbox"/> 2.3 Sliding door partition installation..... | 8 |
| <input type="checkbox"/> 2.3.1 Floor bracket installation..... | 8 |
| <input type="checkbox"/> 2.3.2 Ceiling brackets installation..... | 9 |
| <input type="checkbox"/> 2.3.3 Attach the driver side panel to the van..... | 10 |
| <input type="checkbox"/> 2.3.4 Attach the passenger side panel with sliding door to the van..... | 11 |
| <input type="checkbox"/> 2.3.5 Attach the driver and passenger side panels to the ceiling brackets and the floor bracket..... | 12 |
| <input type="checkbox"/> 2.3.6 Attach the grab handle to the passenger side panel, then apply the warning label on the passenger side panel..... | 13 |

REQUIRED ITEMS



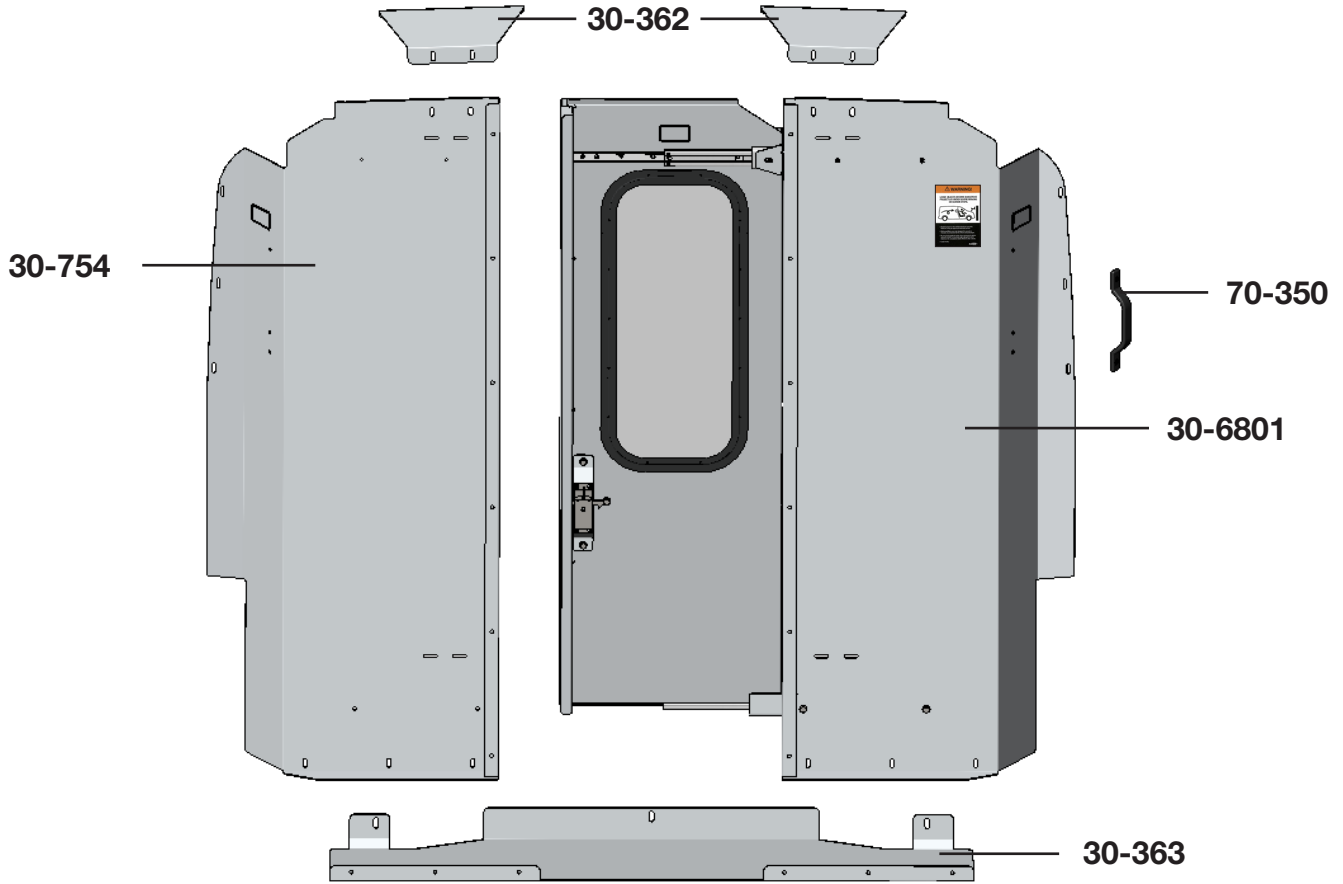
2
PERSONS

- Cordless Impact
- Cordless Drill
- Plusnut Tool
- Tape Measure
- 3/8" Drill Bit
- 7/16" Socket
- 1/2" Socket
- 9/16" Wrench
- 13mm Socket
- 3/16" Impact Bit

PHASE 1 – ASSEMBLY

1.1 SETUP

1.1.1 Unpack components; compare with the bill of materials.

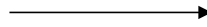


1.1.2 Verify all parts are present.

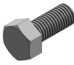


| Item No. | Description | Qty. |
|----------|--------------------------------------|------|
| 30-362 | Ceiling Bracket | 2 |
| 30-363 | Floor Bracket | 1 |
| 30-754 | Driver Side Panel | 1 |
| 70-350 | Grab Handle | 1 |
| 79-932 | Warning Label (Bilingual) | 1 |
| 30-6801 | Passenger Side Panel w/ Sliding Door | 1 |
| 94-3036 | Assembly Fastener Bag | 1 |
| 94-6093 | Assembly Fastener Bag | 1 |
| 96-3013 | Installation Fastener Bag | 1 |

1.1.3 Identify the **Assembly** and **Installation** fastener bags.

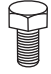


94-3036 Fastener Bag



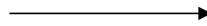
Hardware Assembly

- 10x  # 90-204 Hex Bolt
5/16"-18 x 3/4"
GR-5 ZINC
- 10x  # 94-116 Serrated Nut
5/16"-18
ZINC
- 10x  # 98-116 Flat Washer
5/16", 7/8" OD
ZINC

10x

 #90-204 Hex Bolt 5/16" x 3/4"
 #98-116 Flat Washer
 #94-116 Serrated Nut



94-6093 Fastener Bag



Hardware Assembly

- 2x  # 90-893 Cap Screw
1/4" x 3/4"
- 2x  # 94-112 Serrated Nut
1/4"-20
ZINC

2x

 #90-893 Cap Screw 1/4" x 3/4"
 #94-112 Serrated Nut

96-3013 Fastener Bag



Hardware Assembly

- 5x  # 90-114 Hex Bolt
1/14"-20 x 1"
GR-5 ZINC
- 6x  # 90-122 Hex Bolt
1/14"-20 x 1-1/2"
GR-5 ZINC
- 2x  # 90-666 Hex Bolt
M8-1.25 x 20 CL 8.8 DIN
933 BLACK OXIDE
- 11x  # 94-130 Plusnut .250
- 11x  # 98-112 Flat Washer
1/4", 3/4" OD
ZINC
- 2x  # 98-116 Flat Washer
5/16", 7/8" OD
ZINC
- 11x  # 98-118 Lock Washer
Regular 1/4"
ZINC
- 2x  # 98-122 Lock Washer
Regular 5/6"
ZINC
- 6x  # 98-158 Retaining Washer
M16 (1/4")
NYLON
- 6x  # 98-161 Spacer
1.0" x 0.625" x 0.375"
NYLON

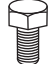


5x

 #90-114 Hex Bolt 1/4" x 1"
 #98-118 Lock Washer
 #98-112 Flat Washer
 #94-130 Plusnut .250

6x

 #90-122 Hex Bolt 1/4" x 1-1/2"
 #98-118 Lock Washer
 #98-112 Flat Washer
 #98-161 Spacer
 #98-158 Retaining Washer
 #94-130 Plusnut .250

2x

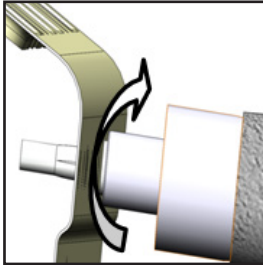
 #90-666 Hex Bolt M8 x 20
 #98-122 Lock Washer
 #98-116 Flat Washer

PHASE 2 – INSTALLATION

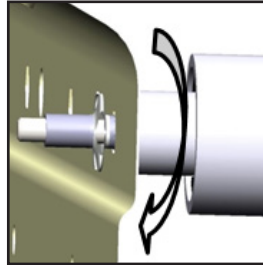
2.1 TIPS ON HOW TO ATTACH A PLUSNUT

2.1.1 Attach the plusnut using the plusnut gun.

TIPS: Put the plusnut on the plusnut gun, then attach the plusnut in the hole by turning the gun forward until the plusnut locks, then remove the gun by turning in reverse.



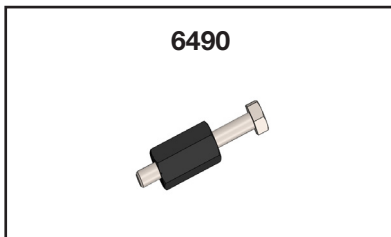
FORWARD



REVERSE



2.1.2 Attach the plusnut using the 6490 plusnut tool.

NOTE: The hardware used for the 6490 plusnut tool is not included in the fastener bag. The 6490 plusnut tool can be ordered separately upon demand at no charge.



6490

HARDWARE USED

-  Flat washer 1/4"
-  Flat washer 1/4" BS x 3/4" OD

TOOLS

- Cordless Impact
- 7/16" Socket
- 9/16" Wrench

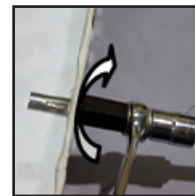
TIPS STEP 1:

Assemble the 6490 plusnut tool with the hardware needed, plusnut and the 9/16" wrench as shown.



TIPS STEP 2:

Attach the plusnut in the hole by turning the bolt forward using an impact with a 7/16" socket until the plusnut locks, then remove the bolt by turning the impact in reverse.



FORWARD

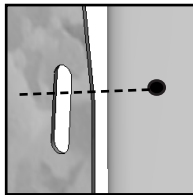
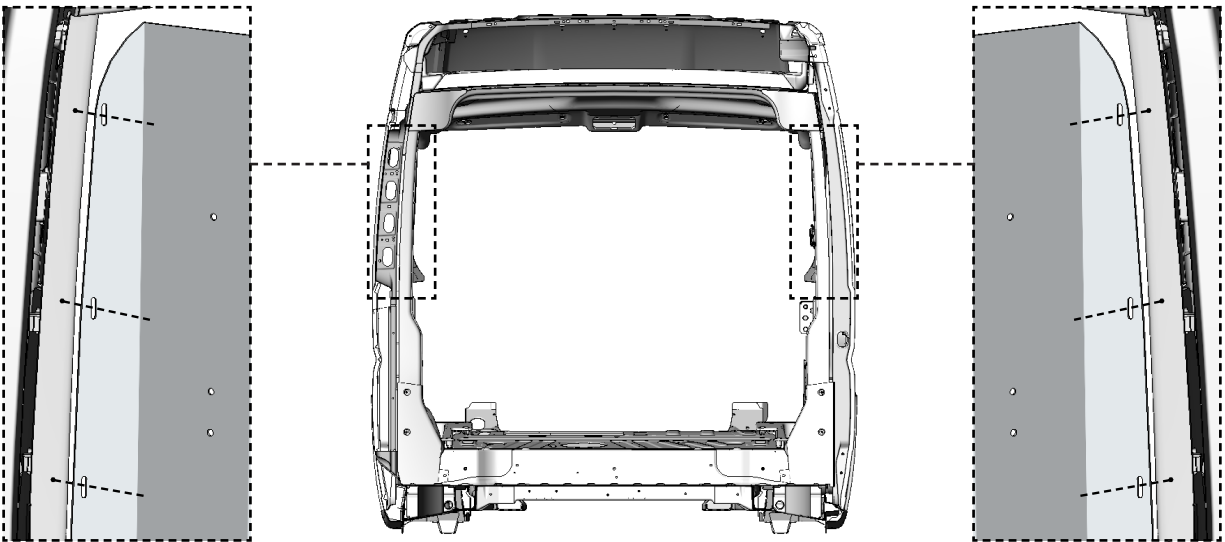


REVERSE

PHASE 2 – INSTALLATION

2.2 VEHICLE PREPARATION

2.2.1 Driver and passenger sides preparation.



Put the driver passenger side panels in place, then put a mark on the van through the holes of the driver and passenger side panels.

- TOOLS**
- Marker



Drill through the plastic using the hole saw.

- TOOLS**
- Cordless Drill
 - 1" Hole Saw



Enlarge the holes if the plusnuts don't fit and make new holes if they don't align with the panel on the van.

- TOOLS**
- Cordless Drill
 - 3/8" Drill Bit or Step Drill

Attach plusnuts in the 6 holes.



- TOOLS**
- Plusnut Tool

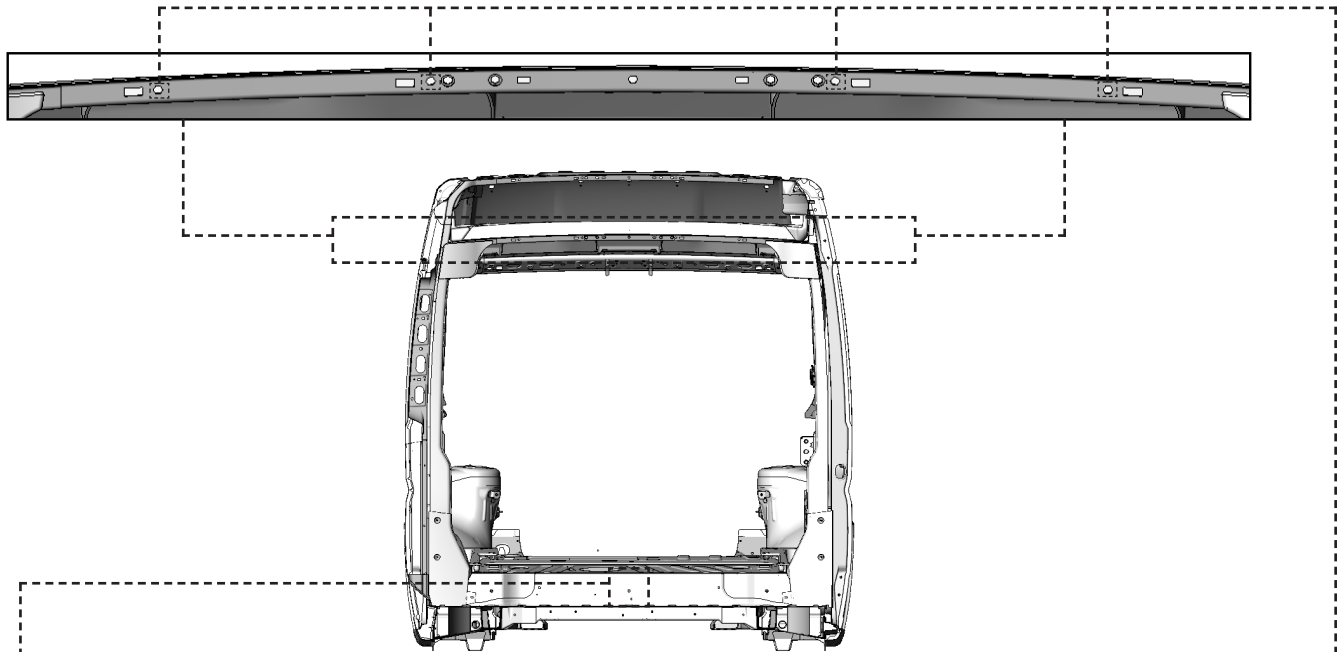
HARDWARE USED

6x



94-130
Plusnut .250

2.2.2 Ceiling and floor preparation.



Attach plusnut on the center hole in the floor.



TOOLS
☐ Plusnut Tool

HARDWARE USED

1x



94-130
Plusnut .250

Enlarge these holes if the plusnuts don't fit using 3/8" drill bit or step drill.



TOOLS
☐ Cordless Drill
☐ 3/8" Drill Bit or Step Drill

Cut or drill the plastic cover through the 4 holes, then Attach plusnuts in the 4 holes.



TOOLS
☐ Plusnut Tool
☐ 1" Hole Saw or Knife

HARDWARE USED

4x

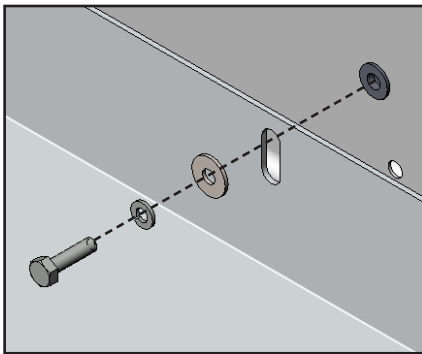
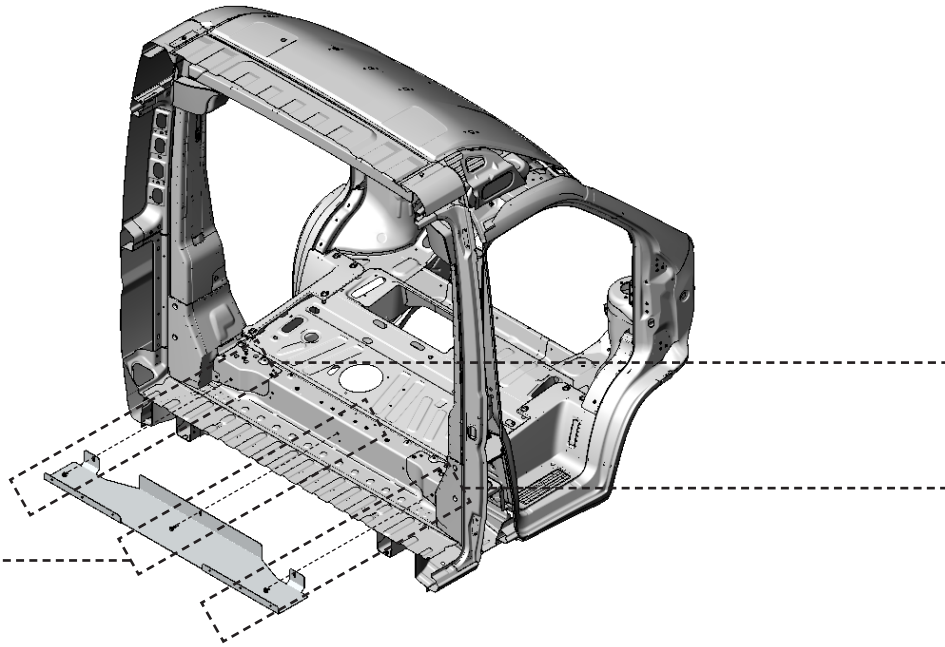


94-130
Plusnut .250

PHASE 2 – INSTALLATION

2.3 SLIDING DOOR PARTITION INSTALLATION

2.3.1 Floor bracket installation.





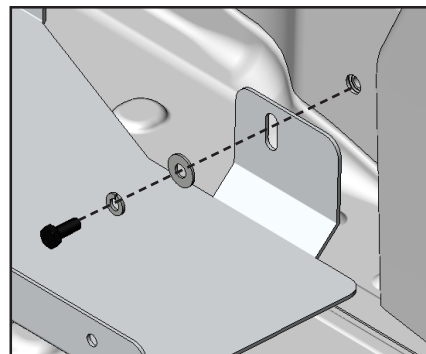
TOOLS

- Cordless Impact
- 7/16" Socket

HARDWARE USED

1x

-  #90-114 Hex Bolt 1/4" x 1"
-  #98-118 Lock Washer
-  #98-112 Flat Washer






TOOLS

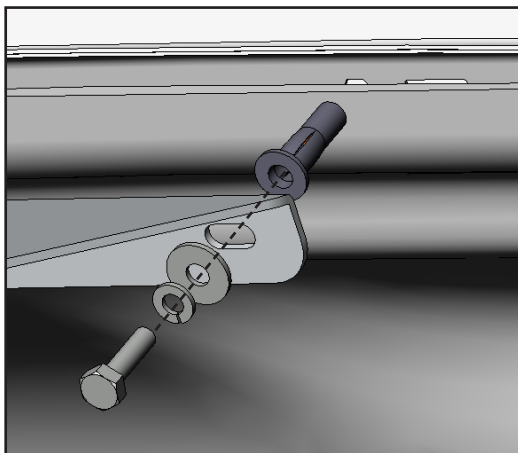
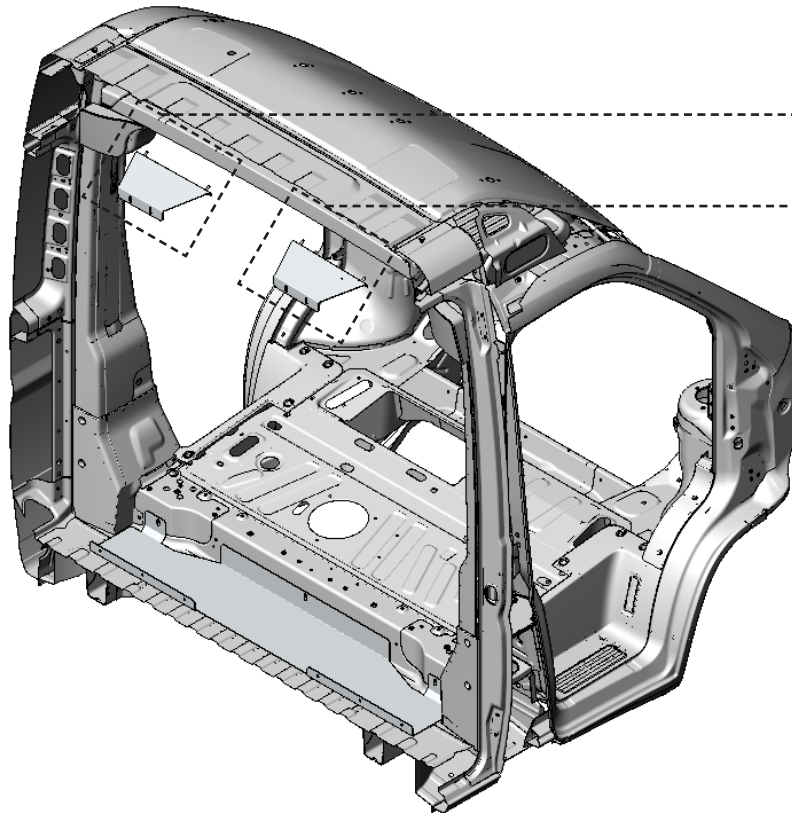
- Socket Wrench
- 13mm Socket

HARDWARE USED

2x

-  #90-666 Hex Bolt M8 x 20
-  #98-122 Lock Washer
-  #94-116 Flat Washer

2.3.2 Ceiling brackets installation



TOOLS

- Cordless Impact
- 7/16" Socket

HARDWARE USED

4x



#90-114 Hex Bolt 1/4" x 1"

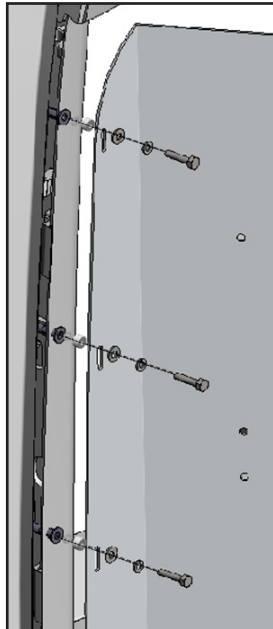
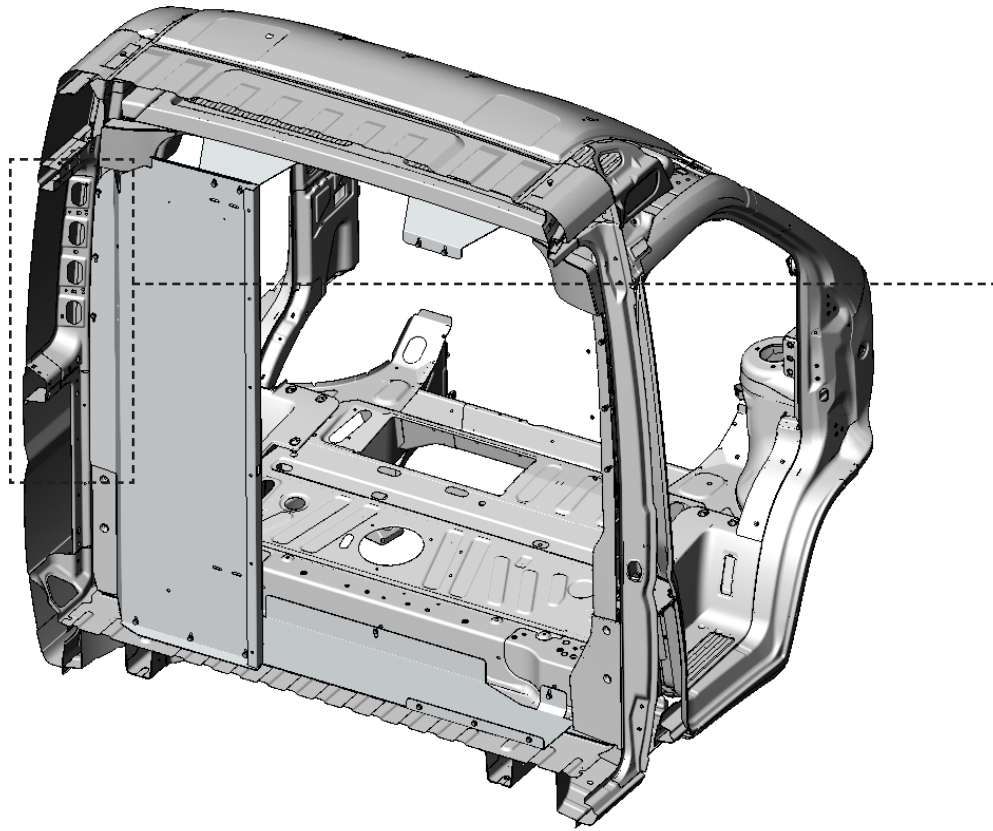


#98-118 Lock Washer



#98-112 Flat Washer

2.3.3 Attach the driver side panel to the van.









TOOLS

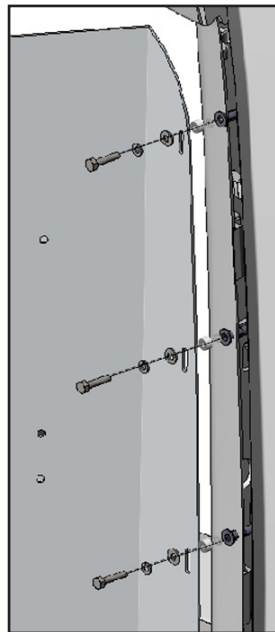
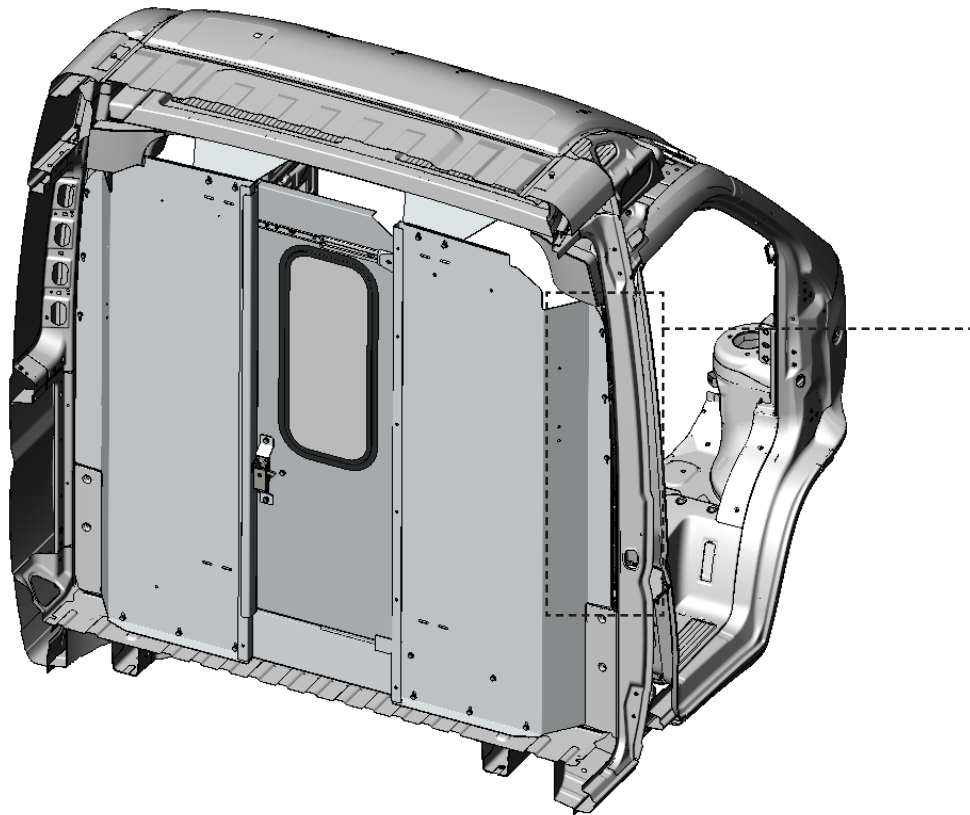
- Cordless Impact
- 7/16" Socket

HARDWARE USED

3x

- | | |
|---|--------------------------------|
|  | #90-122 Hex Bolt 1/4" x 1-1/2" |
|  | #98-118 Lock Washer |
|  | #98-112 Flat Washer |
|  | #98-161 Spacer |
|  | #98-158 Retaining Washer |
|  | #94-130 Plusnut .250 |

2.3.4 Attach the passenger side panel with sliding door to the van.



TOOLS

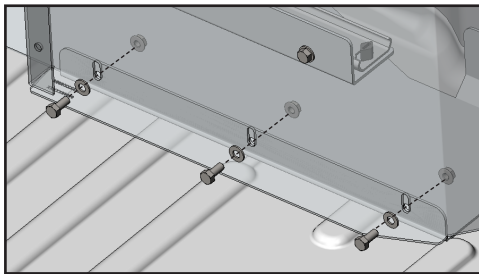
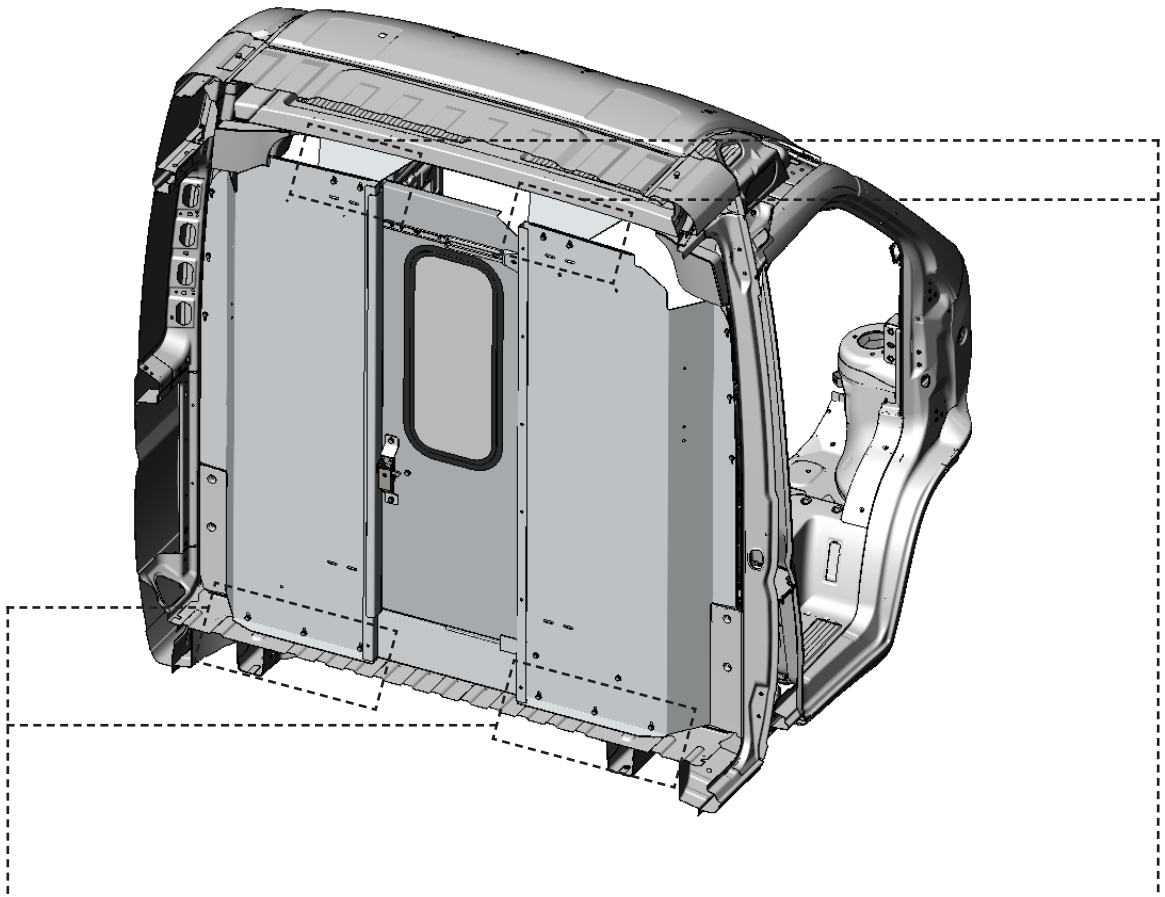
- Cordless Impact
- 7/16" Socket

HARDWARE USED

3x

- | | |
|---|--------------------------------|
|  | #90-122 Hex Bolt 1/4" x 1-1/2" |
|  | #98-118 Lock Washer |
|  | #98-112 Flat Washer |
|  | #98-161 Spacer |
|  | #98-158 Retaining Washer |
|  | #94-130 Plusnut .250 |

2.3.5 Attach the driver and passenger side panels to the ceiling brackets and the floor bracket.

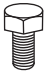




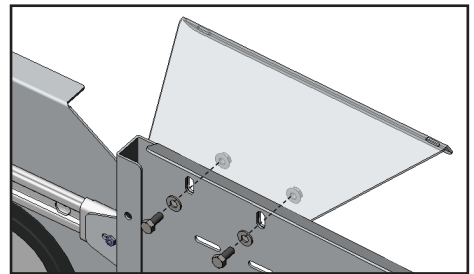
TOOLS

- Cordless Impact
- 1/2" Socket

HARDWARE USED

6x

-  #90-204 Hex Bolt 5/16" x 3/4"
-  #98-116 Flat Washer
-  #94-116 Serrated Nut






TOOLS

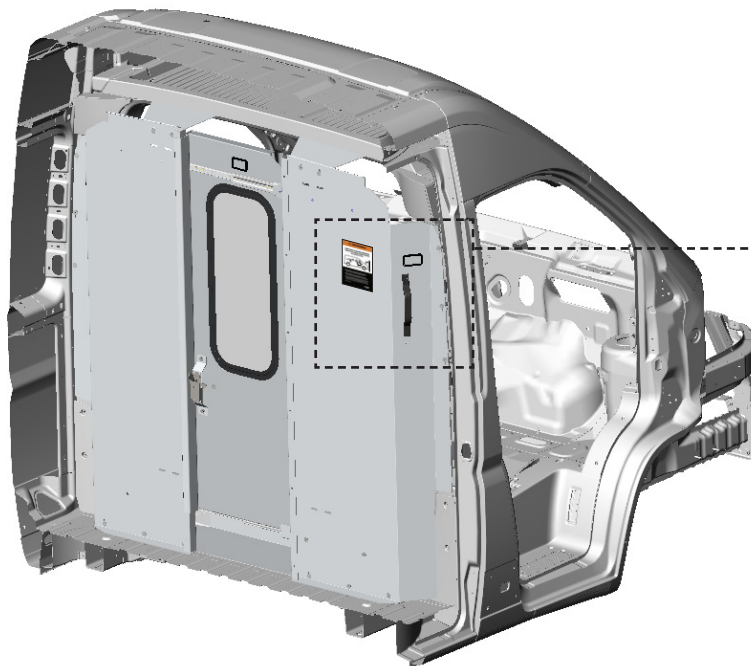
- Cordless Impact
- 1/2" Socket

HARDWARE USED

4x

-  #90-204 Hex Bolt 5/16" x 3/4"
-  #98-116 Flat Washer
-  #94-116 Serrated Nut

2.3.6 Attach the grab handle to the passenger side panel, then apply the warning label on the passenger side panel.



TOOLS

- Cordless Impact
- 3/16" Impact Bit

HARDWARE USED

2x



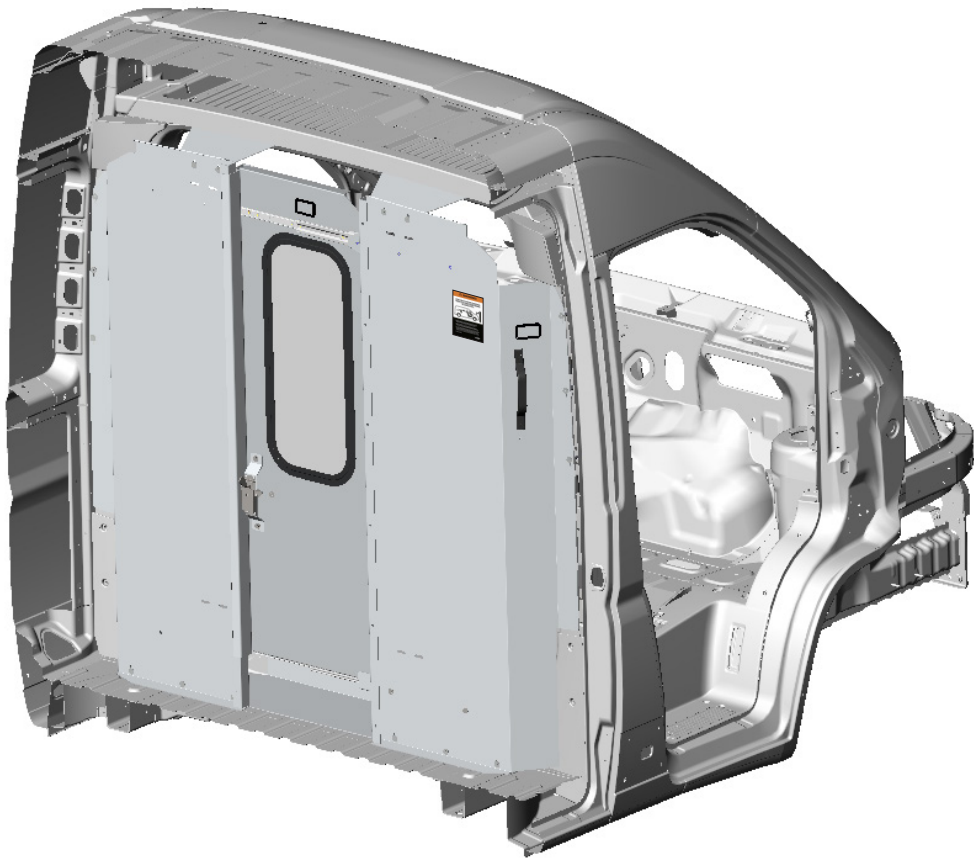
#90-893 Cap Screw



#94-112 Serrated Nut



NOTE: English warning label is already attached on the passenger side panel.



**“Congratulations, you have successfully installed your
Sliding Door Partition!”**

Thank you for doing business with us.”

