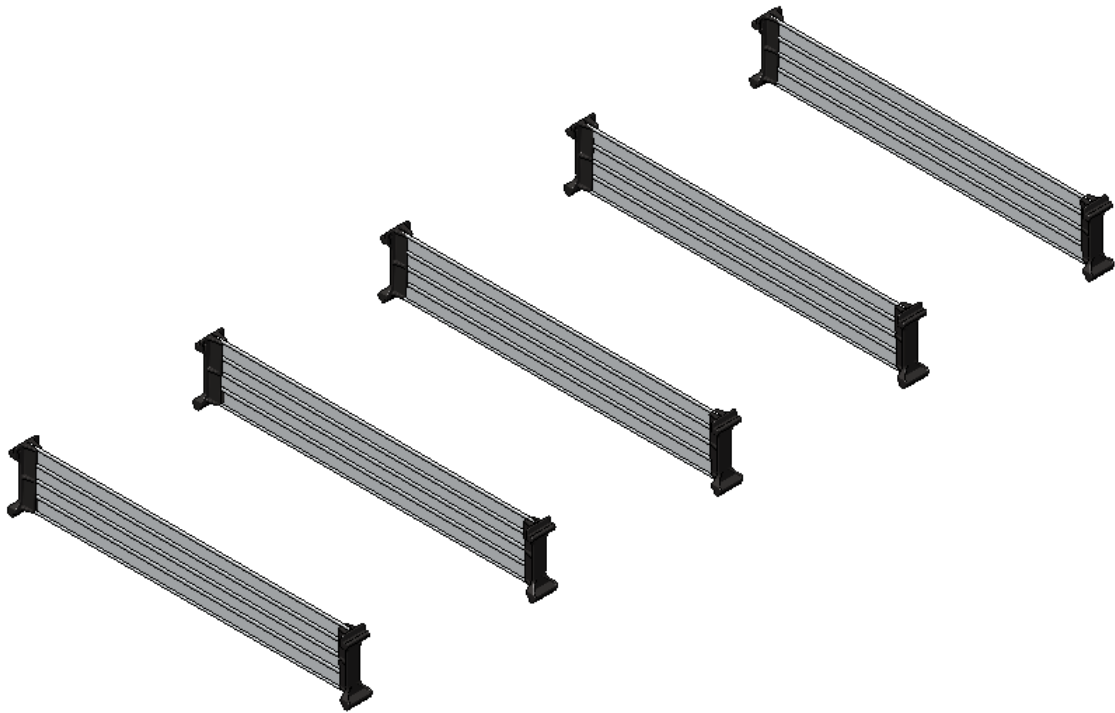


INSTALLATION GUIDE



62-UDR12 Shelving Dividers and Clips

QUICK START GUIDE

Phase 1 - Assembly

| | |
|---|-------|
| <input type="checkbox"/> 1.1 Setup..... | 3 - 4 |
|---|-------|

Phase 2 - Installation

| | |
|---|-------|
| <input type="checkbox"/> 2.1 Shelf Divider & Clips Installation..... | 4 - 6 |
| <input type="checkbox"/> 2.2 How To Remove Shelf Divider & Clips..... | 7 |

REQUIRED ITEMS



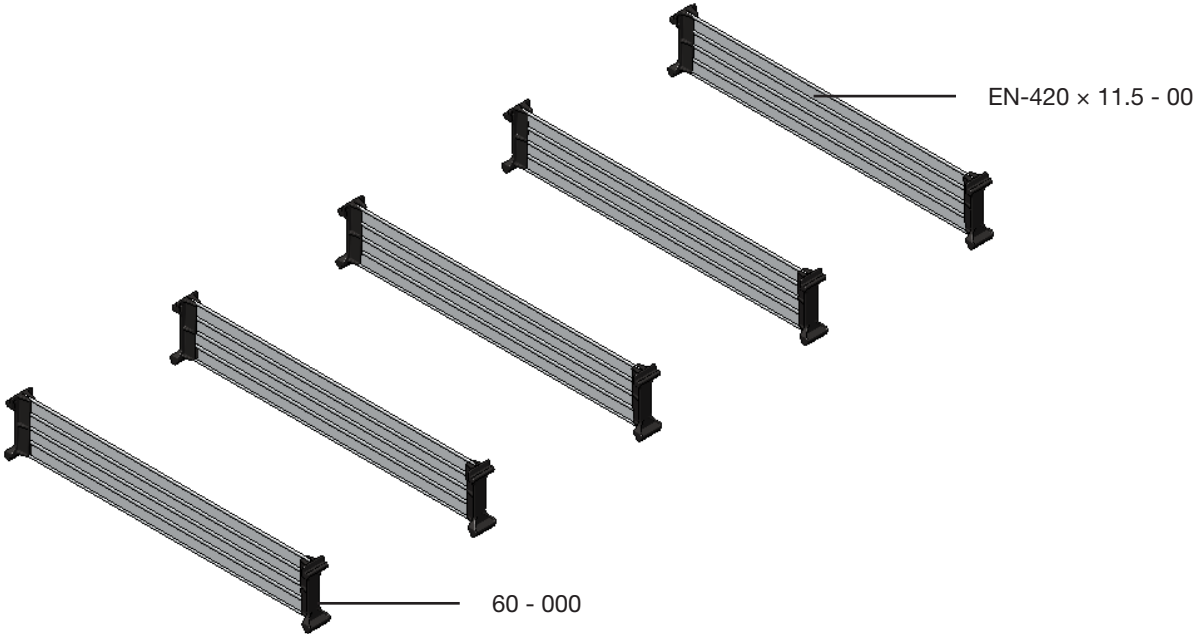
1
PERSON

- Tape Measure
- Marker

PHASE 1 – ASSEMBLY

1.1 SETUP

1.1.1 Unpack components; compare with the bill of materials.



1.1.2 Verify all parts are present.

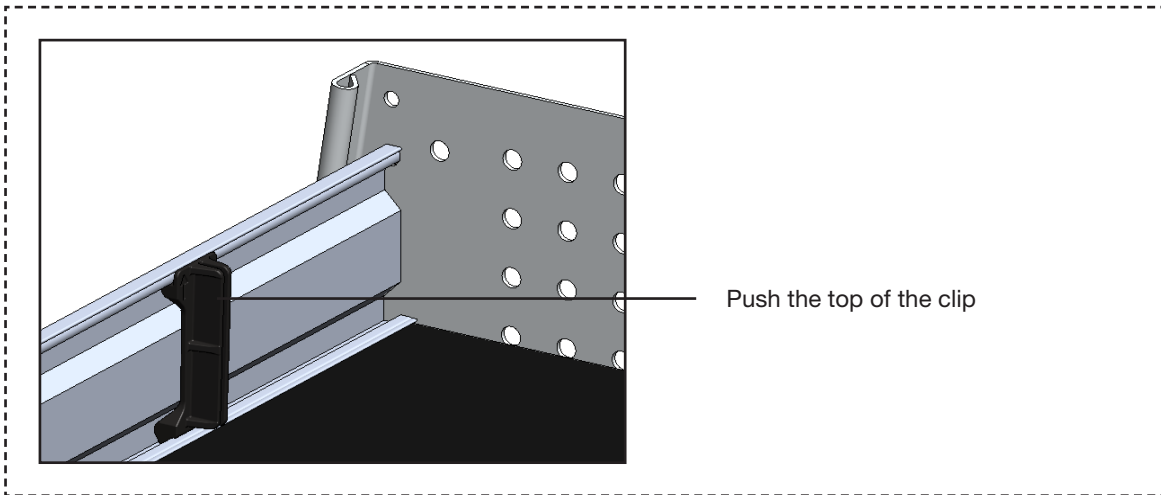
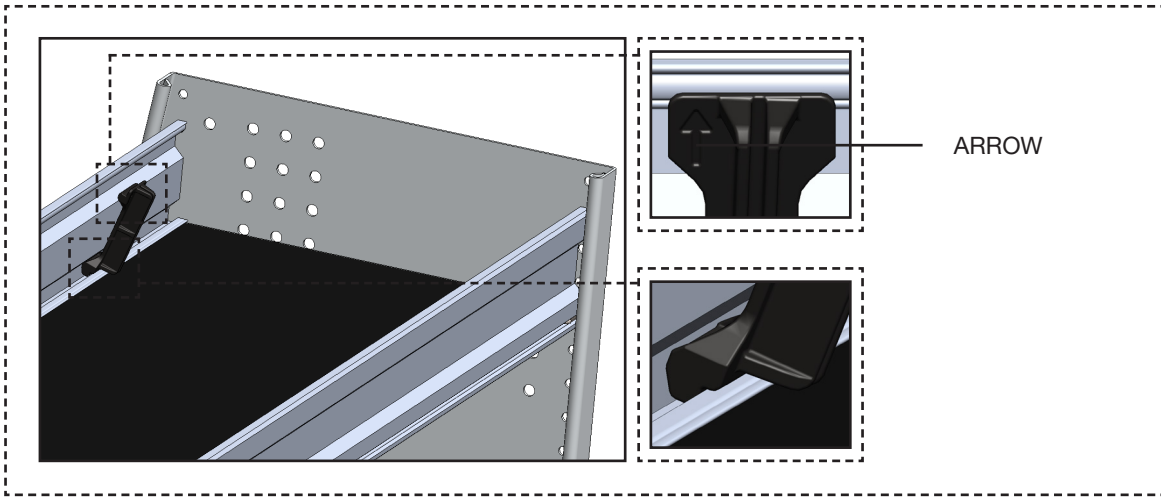
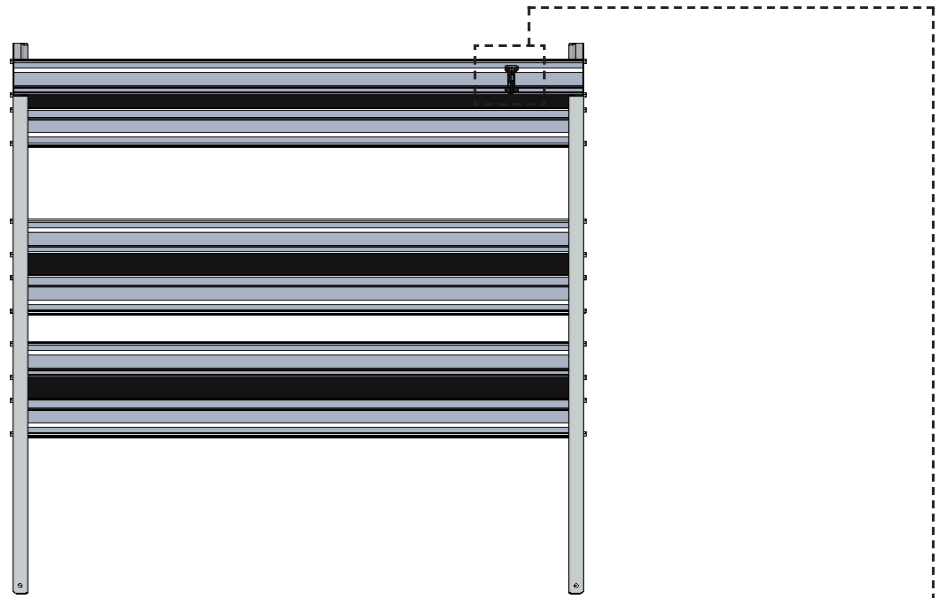
BILL OF MATERIALS

| Item No. | Description | Qty. |
|--------------------|--------------|------|
| 60 - 000 | Divider Clip | 10 |
| EN-420 x 11.5 - 00 | Divider | 5 |

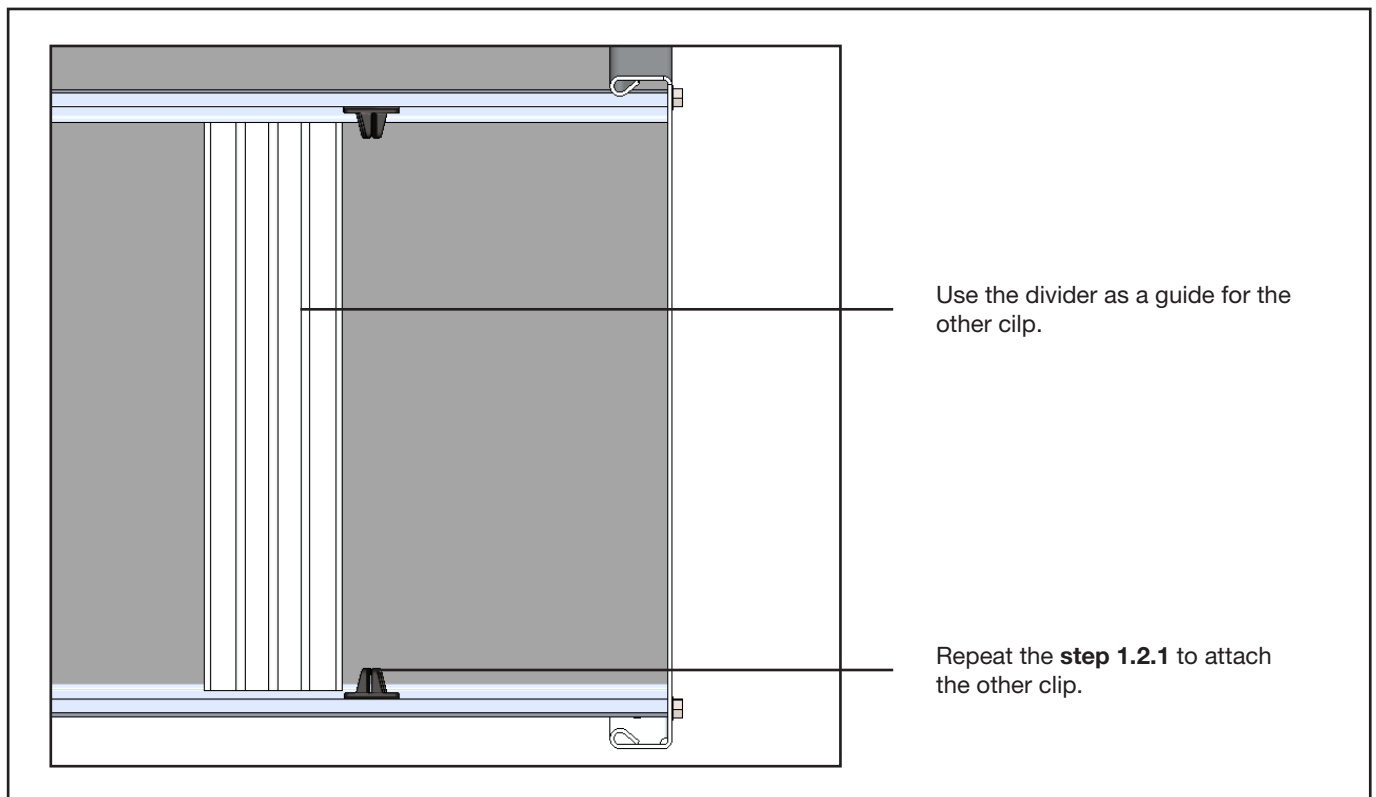
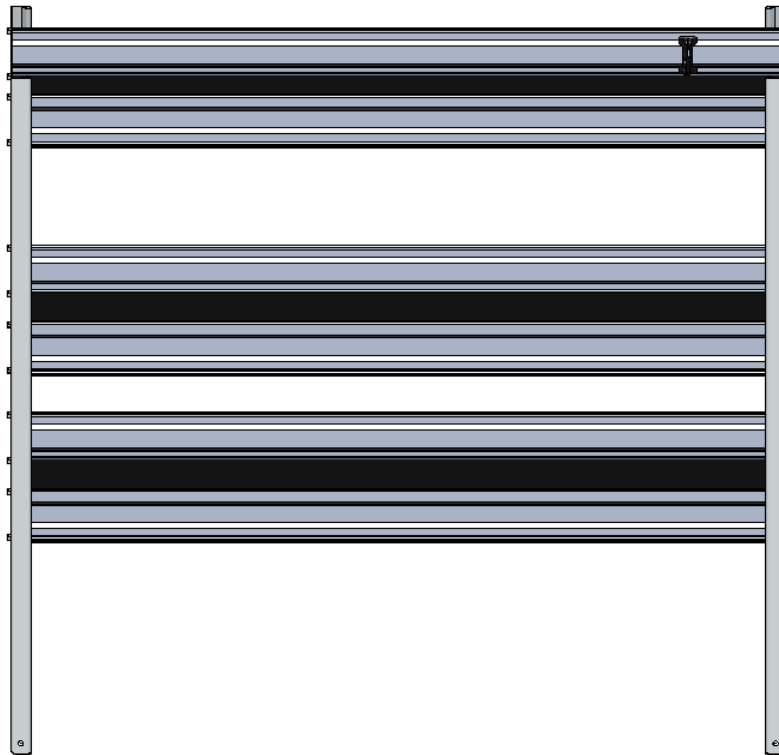
PHASE 2 – INSTALLATION

2.1 SHELF DIVIDER & CLIPS INSTALLATION

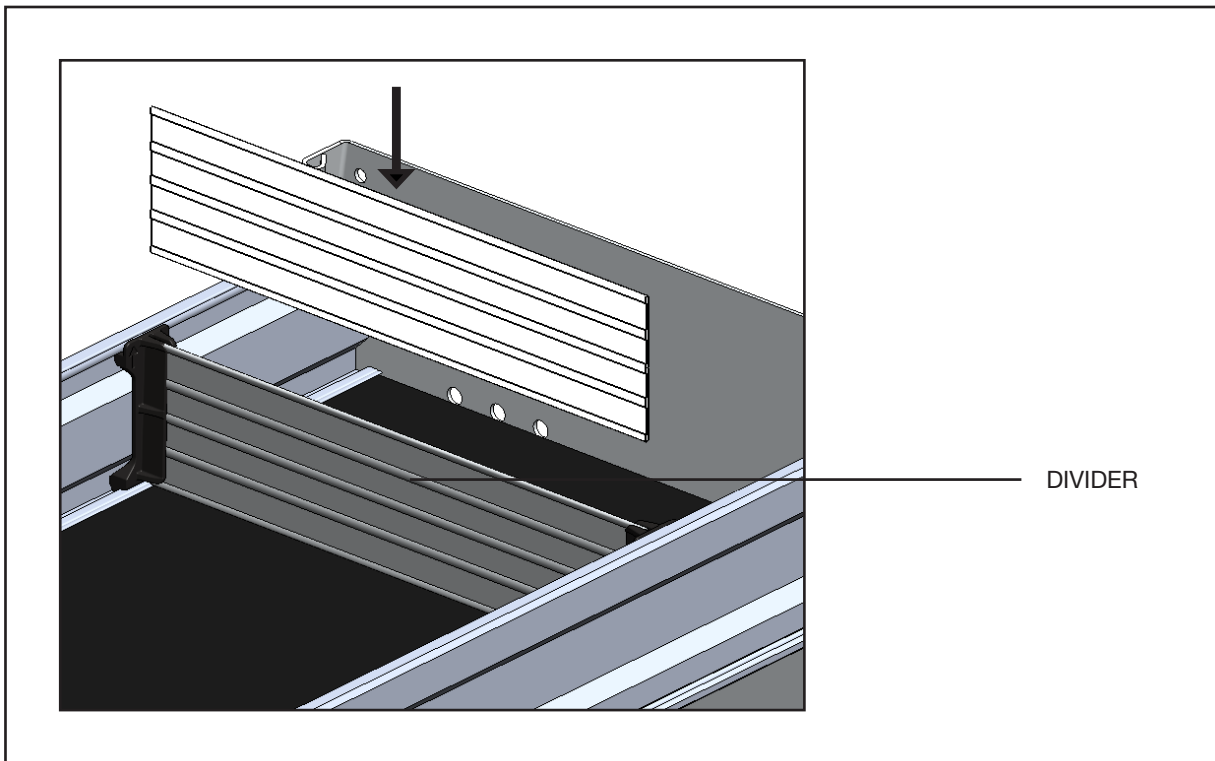
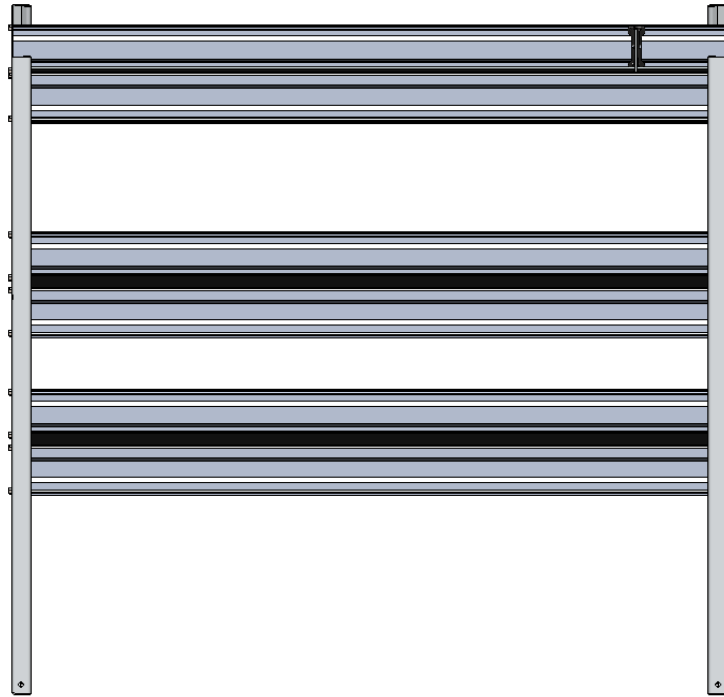
1.2.1 Attach the divider clips to the extrusions.



1.2.2 Use the divider as a guide, then attach the other clip by following the same step on **Page 4**.



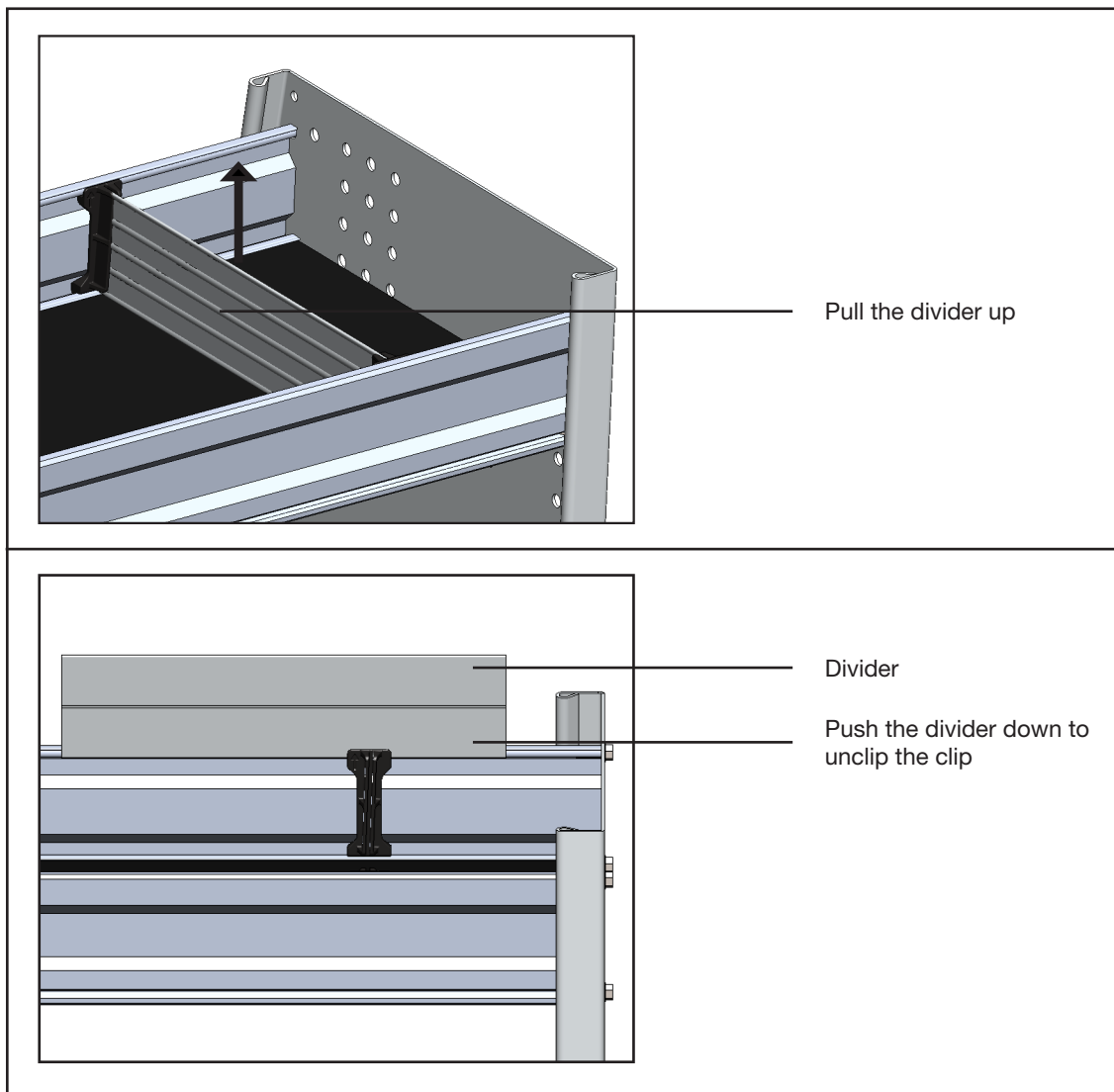
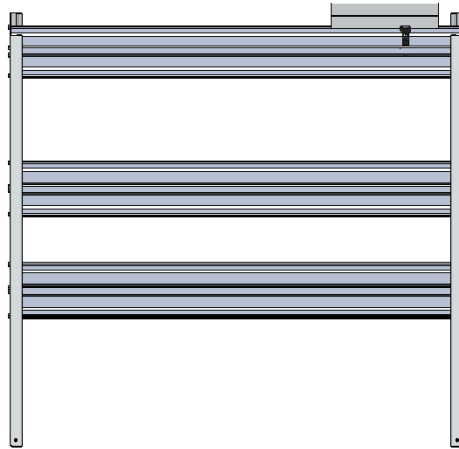
1.2.3 After attaching the clips, slide the both ends of the divider to the clips.



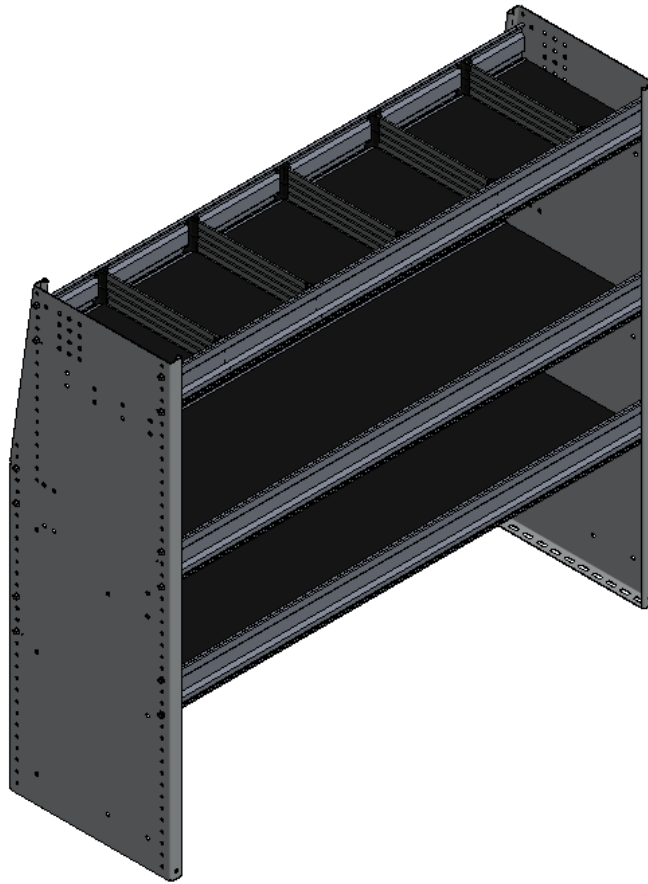
PHASE 2 – INSTALLATION

2.2 HOW TO REMOVE SHELF DIVIDER & CLIPS

2.2.1 Remove the divider then use the divider to unclip the clips.



You can watch our installation video on the Ranger Design website.



**“You have successfully installed your
62-UDR12**

Thank you for doing business with us.”

For any feedback or suggestions you may have, please contact: cs@rangerdesign.com

